

(Model.)

2 Sheets—Sheet 1.

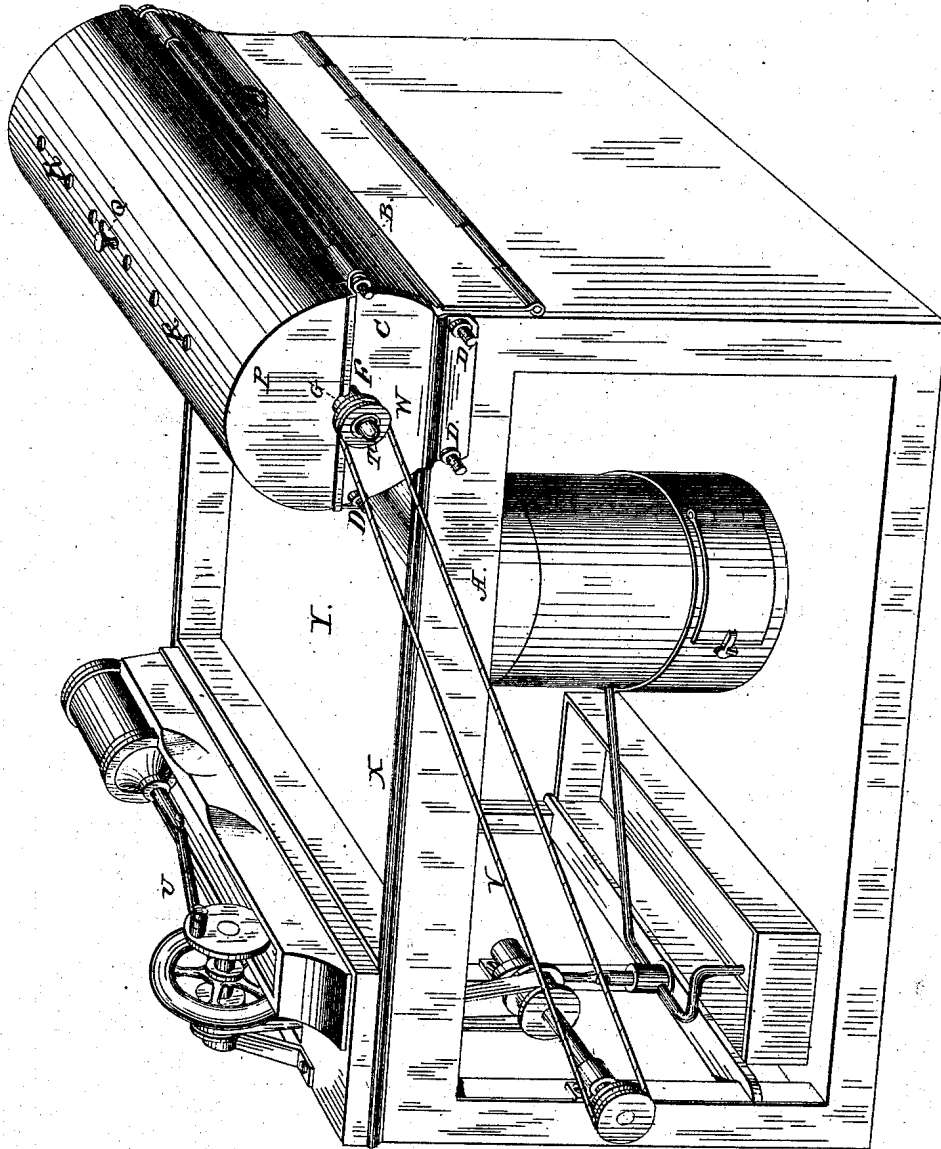
W. E. VERNON.

Machine for Roasting Coffee, Peanuts, &c.

No. 240,867.

Patented May 3, 1881.

Fig. 1.



WITNESSES:

Fred. S. Dieterich
Heerm. Lauter

By his Attorneys

INVENTOR:

William E. Vernon
C. A. Snow & Co.

(Model.)

2 Sheets—Sheet 2.

W. E. VERNON.
Machine for Roasting Coffee, Peanuts, &c.

No. 240,867.

Patented May 3, 1881.

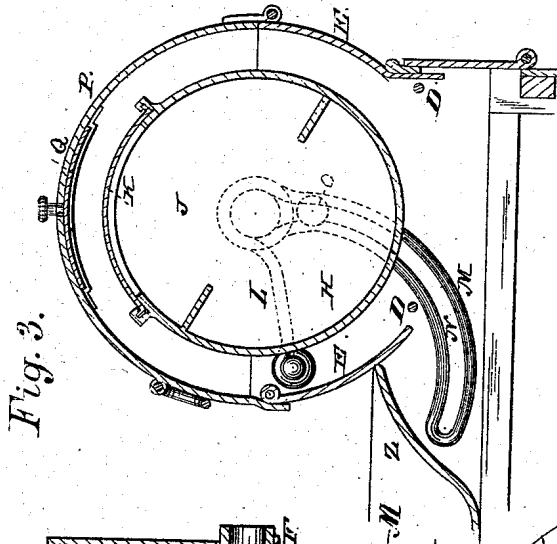


Fig. 3.

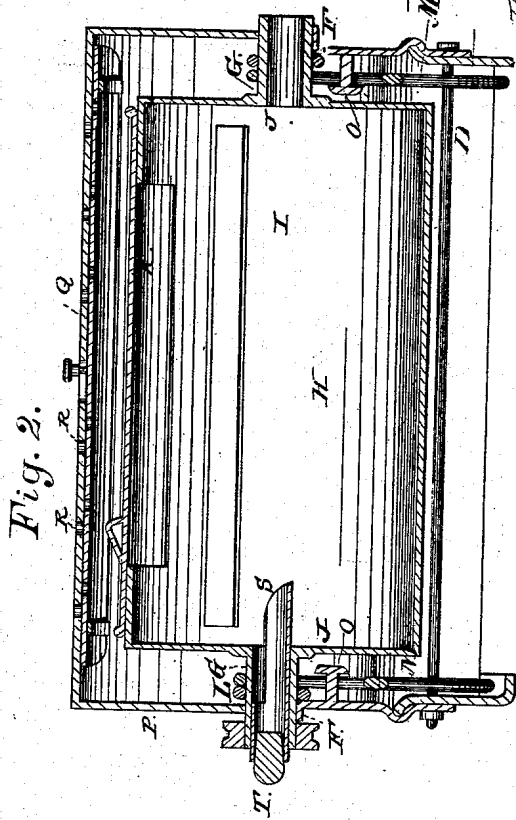


Fig. 2.



Fig. 5.

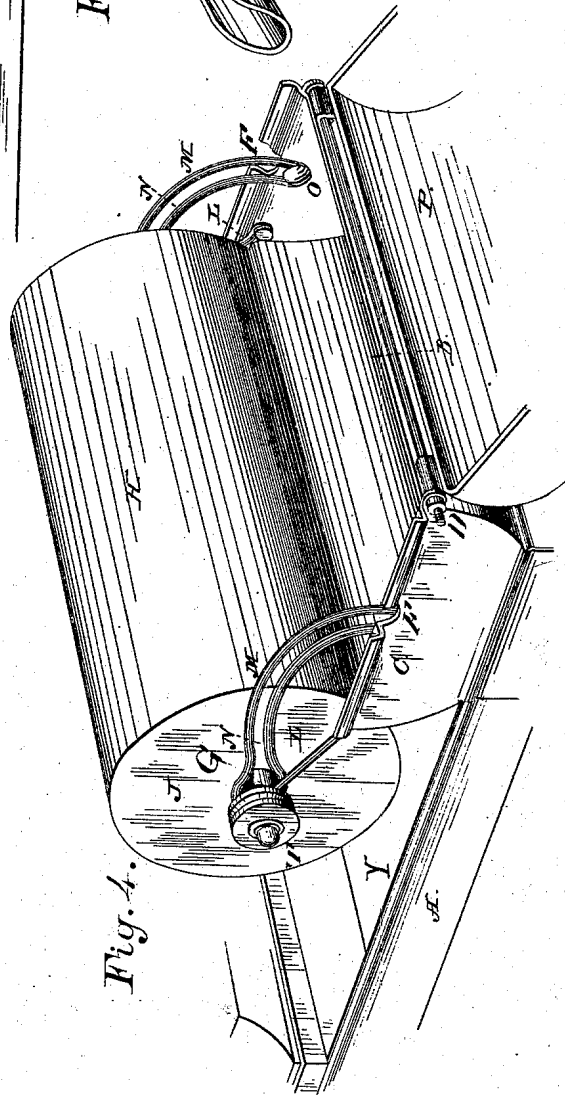


Fig. 4.

WITNESSES:

Med. J. Dieterich
Herm. Lauten

By his Attorneys

INVENTOR:

William E. Vernon
C. A. Brown & Co.

UNITED STATES PATENT OFFICE.

WILLIAM E. VERNON, OF OSKALOOSA, IOWA.

MACHINE FOR ROASTING COFFEE, PEANUTS, &c.

SPECIFICATION forming part of Letters Patent No. 240,867, dated May 3, 1881.

Application filed February 26, 1881. (Model.)

To all whom it may concern:

Be it known that I, WILLIAM E. VERNON, of Oskaloosa, in the county of Mahaska and State of Iowa, have invented certain new and useful Improvements in Machines for Roasting Coffee, Peanuts, and the Like; and I do hereby declare that the following is a full, clear, and exact description of the invention, which will enable others skilled in the art to which it appertains to make and use the same, reference being had to the accompanying drawings, which form a part of this specification.

Figure 1 is a perspective view. Fig. 2 is a vertical sectional view taken longitudinally through the cylinder. Fig. 3 is a vertical cross-section. Fig. 4 is a perspective detail view, showing the cylinder in position for discharging its contents; and Fig. 5 is a detail view of the testing-spoon and plug.

Corresponding parts in the several figures are denoted by like letters of reference.

This invention relates to machines for roasting coffee, peanuts, and the like, and for popping corn; and it consists in certain improvements in the construction of the same, which will be hereinafter fully described, and particularly pointed out in the claim.

In the drawings hereto annexed, A represents a suitable chamber or frame, provided at one end with a half-casing, B, formed of two cast-metal heads, C C, connected by rods D D, and spaced by the curved side pieces, E E, which form, with the said heads, a nearly semi-cylindrical but bottomless bed or casing, (represented by the letter B,) as above set forth.

The heads C C are provided with bearings F, for the tubular axis or stub-axles G of a drum or cylinder, H. The latter consists of the body I, provided with double heads J, and with a laterally and longitudinally sliding cover, K, through which it may be filled with the coffee or nuts to be roasted, or its contents discharged, as the case may be.

The cylinder-axles G are provided with pivoted arms L, pivoted also to the front rod D, by which the heads C C are connected, thus enabling the cylinder to be thrown forward to the position shown in Fig. 4.

M M are arms pivoted upon the axles G, and provided with curved slots N, by which they slide upon studs O, fixed upon the inner sides

of the heads C, as shown, and forming combined guides and stops for the cylinder.

P is a semi-cylindrical cover, hinged upon the rear rod D, and provided with a perforated slide or damper, Q, by means of which a series of ventilating-openings, R, formed in the top of the said cover may be opened or closed at pleasure.

The openings of the tubular axles G are closed by means of tubular scoops S, having plugs T, which form combined stoppers and handles.

In the chamber or frame A is arranged a suitable motor, U, from which motion is conveyed, by means of a belt or band, V, to the roasting-cylinder, one of the axles G of which is provided with a drum or pulley, W, for this purpose.

A charcoal-furnace, or a series of gasoline-jets, or any other suitable heating device, is to be arranged under the roasting-cylinder for the purpose of roasting its contents.

Upon the sides of the frame A are formed ledges X, to support a suitably-constructed cooling-pan, Y, which may be readily removed when desired, and which is preferably provided with a slanting front, side, or spout, Z.

From the foregoing description, taken in connection with the drawings hereto annexed, the operation and advantages of my invention will be readily understood. The condition of the contents of the roasting-cylinder may be at any time readily ascertained by removing a portion thereof by means of one of the scoops S, which may be readily done while the cylinder is in motion.

Having thus described my invention, I claim and desire to secure by Letters Patent of the United States—

The combination, with the semi-casing B, of the roasting-cylinder H, having axles G, pivoted arms L, and arms M, having curved slots N, substantially as and for the purpose set forth.

In testimony that I claim the foregoing as my own I have hereto affixed my signature in presence of two witnesses.

WILLIAM ELIAS VERNON.

Witnesses:

A. J. PROUDFIT,
GEO. A. WELLS.