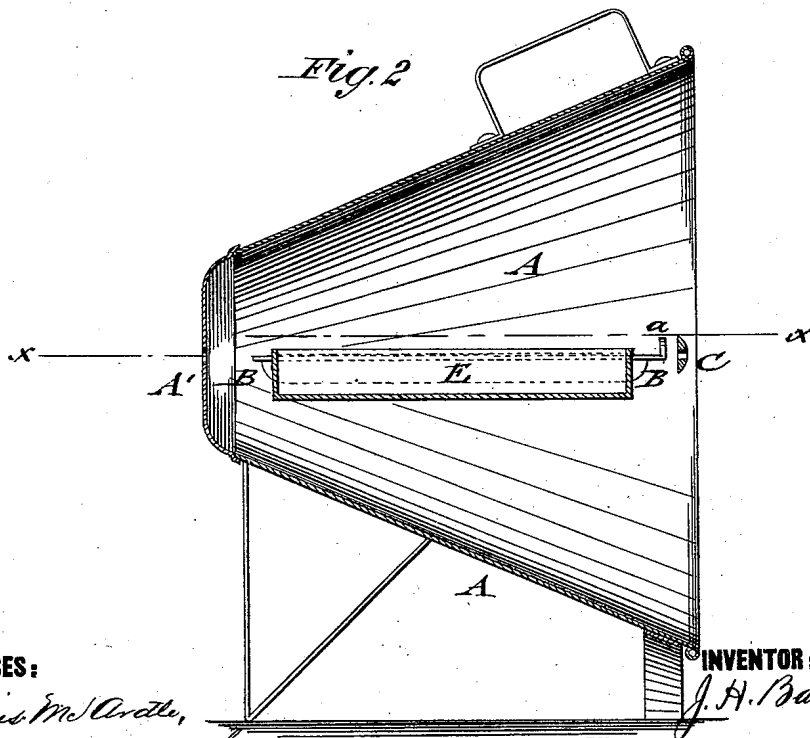
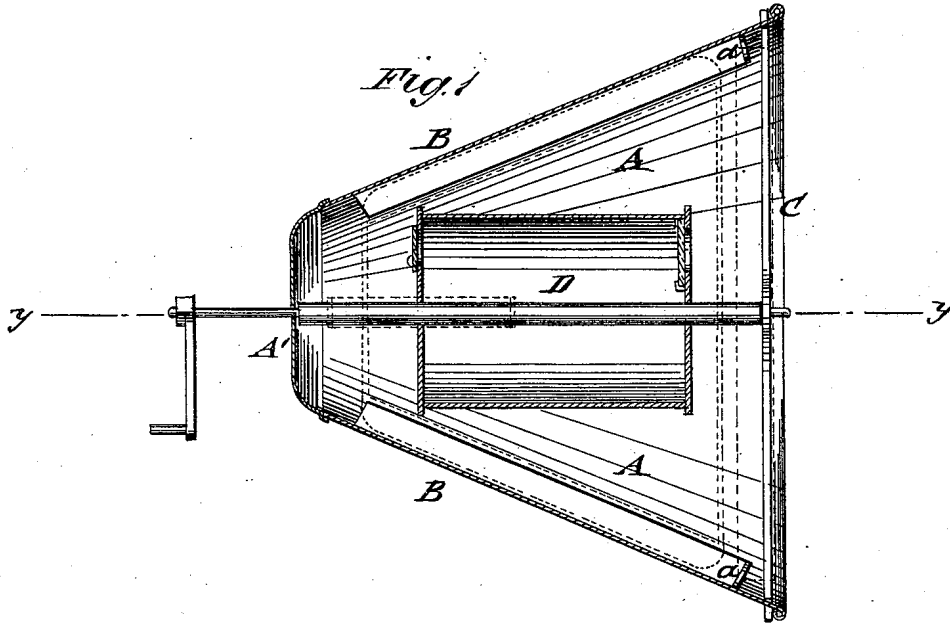


J. H. BANKSTON.
COFFEE-ROASTERS.

No. 195,251.

Patented Sept. 18, 1877.



WITNESSES:

Francis McCordle,
J. H. Scarborough.

INVENTOR:

J. H. Bankston

BY

Munn & Co.
ATTORNEYS.

UNITED STATES PATENT OFFICE.

JOHN H. BANKSTON, OF PULASKI, TENNESSEE, ASSIGNOR TO HIMSELF AND
T. J. WELLS, OF SAME PLACE.

IMPROVEMENT IN COFFEE-ROASTERS.

Specification forming part of Letters Patent No. 195,251, dated September 18, 1877; application filed
March 24, 1877.

To all whom it may concern:

Be it known that I, JOHN H. BANKSTON, of Pulaski, in the county of Giles and State of Tennessee, have invented a new and Improved Coffee-Roaster and Bread-Baker, of which the following is a specification:

In the accompanying drawing, Figure 1 represents a horizontal section of my improved coffee-roaster and bread-baker, taken on line *x x*, Fig. 2; and Fig. 2 is a vertical longitudinal section of the same on line *y y*, Fig. 1.

Similar letters of reference indicate corresponding parts.

The invention relates to an improved device for roasting coffee, baking bread, meat, cakes, and other articles in perfect manner by the radiated heat of an open fire-place, so as to utilize this heat in convenient and economical manner; and the invention consists of a conical reflector with fixed cap or apex, being supported in suitable manner, with the open base or mouth toward the fire, and provided with flanges and supports for the baking-pans, roasting-cylinder, &c.

In the drawing, A represents a reflector, of conical shape and suitable sheet metal, which is supported on a suitable stand or feet in such a manner that the axis of the reflector is in horizontal position and the open base or mouth placed toward the fire.

The apex of the conical reflector A is closed by a fixed cap, A', in a center hole of which and a center hole of a diametrical stay, C, at the mouth of the reflector, is supported the roasting-cylinder D, that is placed in position by unscrewing its crank, passing the crank end through the bearing of the cap A', and

springing the front end of the shaft into the loosely-supported stay C, as shown in Fig. 1. The crank is replaced and the roaster ready for work.

To the inside of the reflector A are riveted horizontal flanges B, having upturned lugs *a* at the front ends for the support of the baking-pan E, of tapering shape, corresponding to that of the reflector.

The device is used by placing either the roasting-cylinder or baking-pan in position in the reflector, and then placing the reflector before the fire. The roasting-cylinder is then slowly turned by the crank or handle of the cylinder-shaft, the roasting being accomplished by the heat of the radiated and reflected rays of the open fire. The bread, cakes, meat, &c., are baked in the same manner by placing the mouth of the reflector at proper distance from the fire, the same being readily moved by a top handle.

The roaster and baker may be made of various sizes, according to the size of the fire-grate and the purposes required, forming a convenient and useful device to be used in connection with open fire-places.

Having thus described my invention, I claim as new and desire to secure by Letters Patent—

The combination, with a conical reflector open at the larger and closed at the smaller end, of an internal cylinder or roaster journaled concentrically within the reflector, substantially as and for the purpose specified.

JOHN H. BANKSTON.

Witnesses:

GEO. N. MCGREW,
LAPS D. M. CORD.